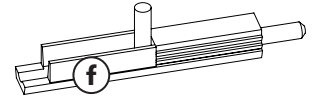
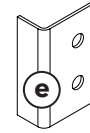
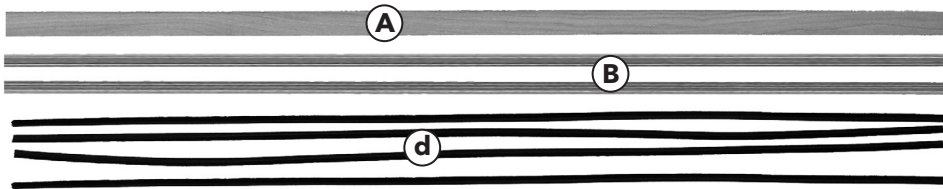
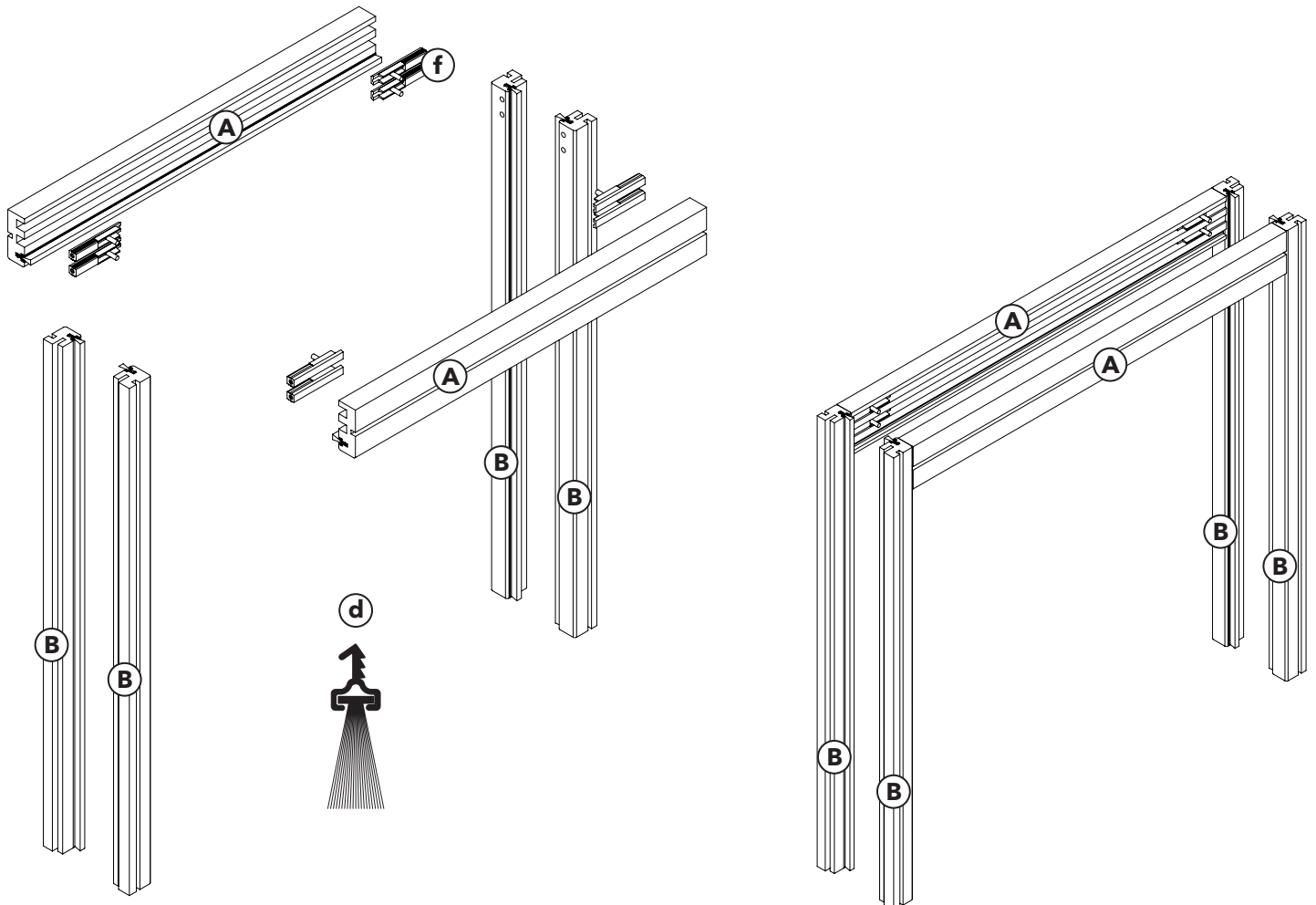


JAMB KIT INSTALLATION - DOUBLE DOOR

KIT CONTENTS

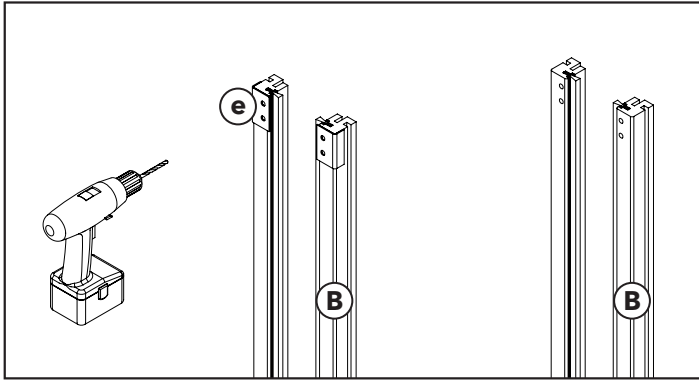


- (A)** Jamb Headers
- (B)** Split Jambs (4 pcs)
- (e)** Metal Brackets (4 pcs)
- (f)** Bolt (8 pcs)
- (d)** Brushes (4 pcs)



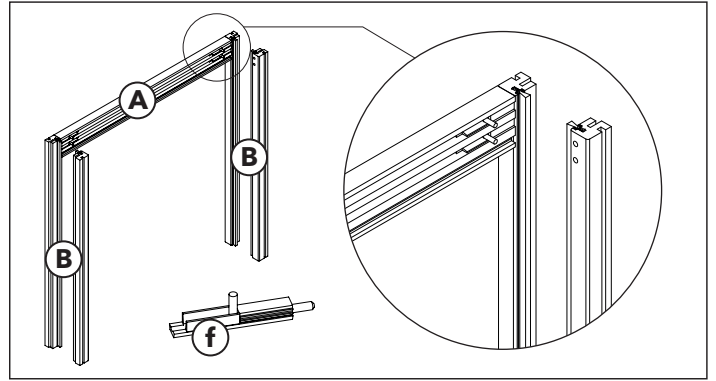
Note: Brushes **(d)** not to be used if you're using 1-3/4" thick door.

JAMB KIT INSTALLATION - DOUBLE DOOR



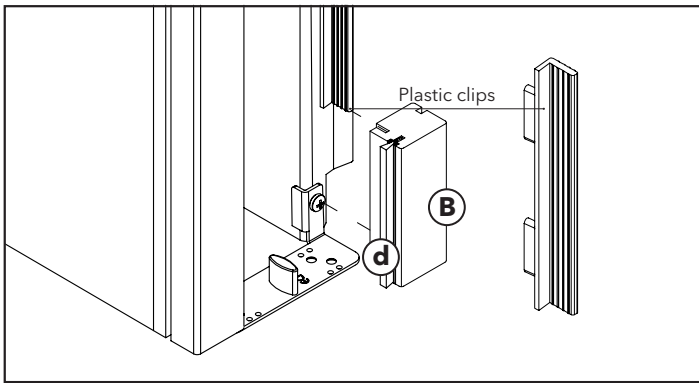
Step 1

Position the metal brackets (**e**) as indicated on the drawing and drill the split jamb (**B**). Use a 4 mm bit.



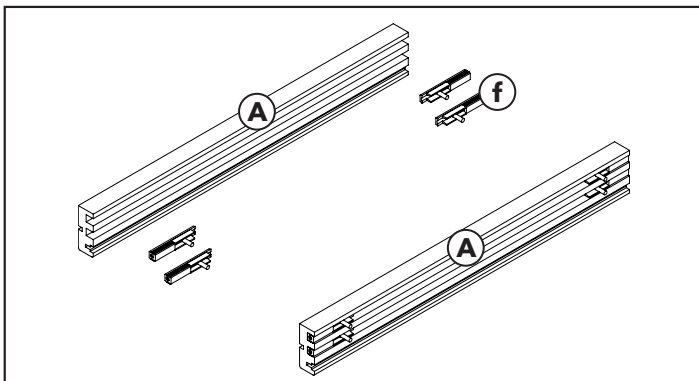
Step 4

Attach the jamb header (**A**) with bolts (**f**) to split jambs (**B**) using the metal brackets (**e**).



Step 2

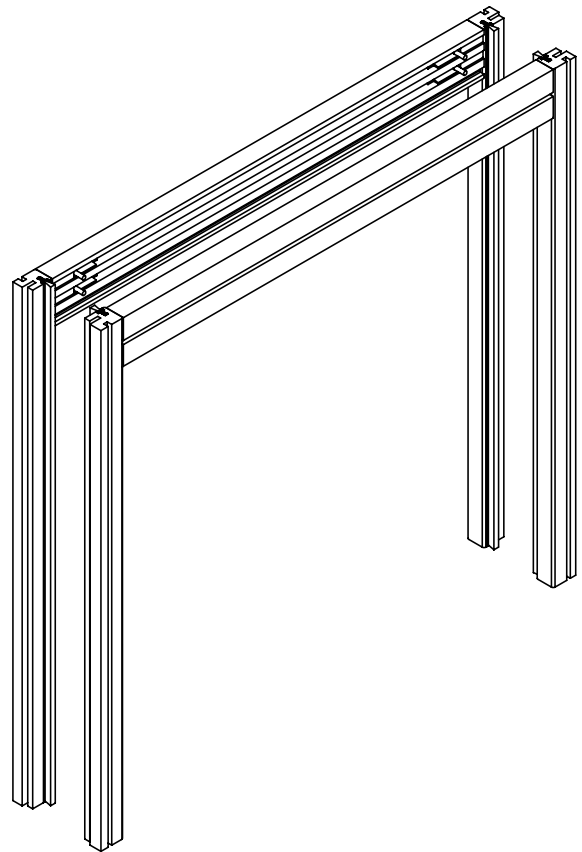
Place the split jambs (**B**) into position and attach them to the system by compression using the plastic clips supplied into the frame kit box. Insert the brushes (**d**) only when the jambs are painted or stain and only if using a 1-3/8" door.



Step 3

Cut the jamb headers (**A**) into two lengths equal to the space remaining between the split jambs (**B**). Insert the bolts (**f**) (4 pcs on each header piece).

Note: With jambs installed casing can now be added.



ECLISSE NORTH AMERICA, LLC
700 West 190TH ST. GARDENA, CA 90248
info@eclissena.com - www.eclisse.us
Toll Free: 1 800 614 1474



©2023 ECLISSE, all rights reserved.-The use, filing and total or partial reproduction, using any mechanical or electronic means, of texts, drawings and pictures contained in this publication is strictly prohibited, unless specifically approved in writing by ECLISSE.
11/2023 - 603044201