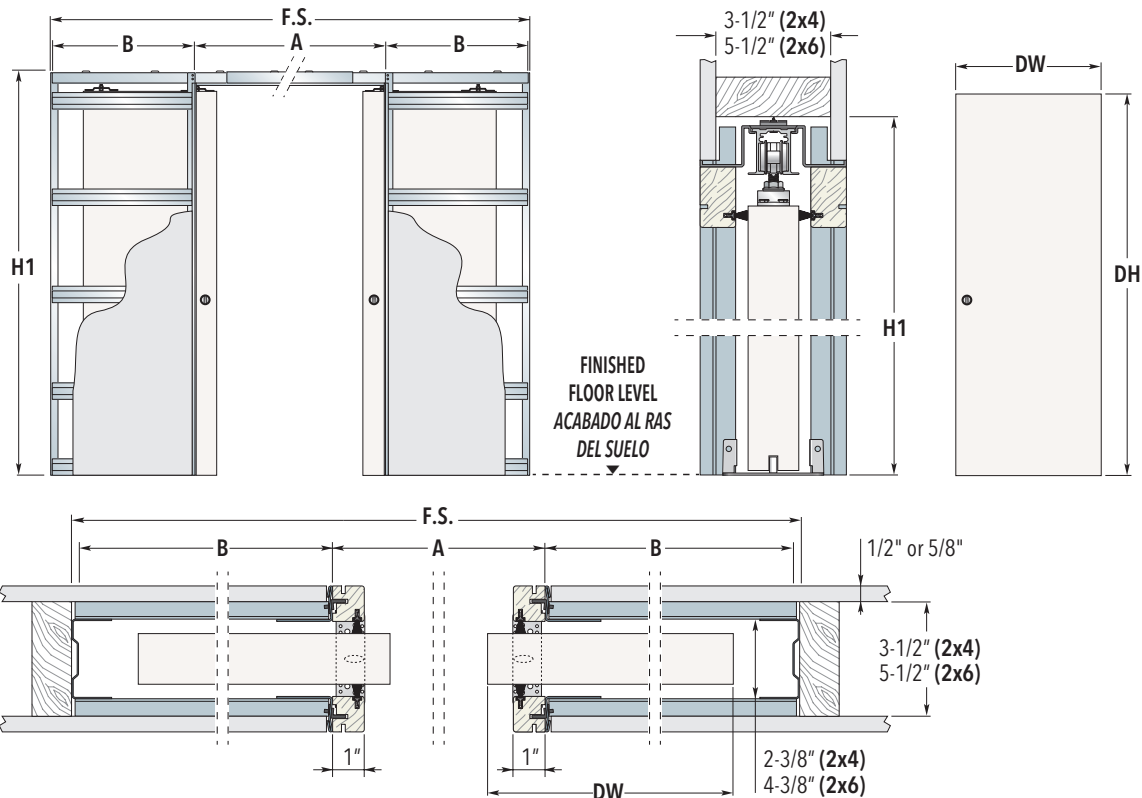


# ECLISSE DOUBLE 2x4-2x6

## DIMENSIONS



H1 Height is determined from Intended Finished Floor Level NOT the subfloor level.

R.O. = F.S.+1/2" for width and H1+1/4" for height

DOOR PANEL		SYSTEMS FOR DOUBLE DOORS				
DW	DH	F.S. x H1 (FRAME SIZE)	Overall Dimensions			
		R.O. x R.O. (ROUGH OPENING)		A	B	
24**	80" / 84" / 90" / 96" / 108" / 120"	98-5/8" x 83" / 87" / 93" / 99" / 111" / 123"	99-1/8" x 83-1/4" / 87-1/4" / 93-1/4" / 99-1/4" / 111-1/4" / 123-1/4"		49-1/2"	24-3/8"
26**	80" / 84" / 90" / 96" / 108" / 120"	106-3/4" x 83" / 87" / 93" / 99" / 111" / 123"	107-1/4" x 83-1/4" / 87-1/4" / 93-1/4" / 99-1/4" / 111-1/4" / 123-1/4"		53-1/2"	26-3/8"
28**	80" / 84" / 90" / 96" / 108" / 120"	114-5/8" x 83" / 87" / 93" / 99" / 111" / 123"	115-1/8" x 83-1/4" / 87-1/4" / 93-1/4" / 99-1/4" / 111-1/4" / 123-1/4"		57-1/2"	28-3/8"
30**	80" / 84" / 90" / 96" / 108" / 120"	122-5/8" x 83" / 87" / 93" / 99" / 111" / 123"	123-1/8" x 83-1/4" / 87-1/4" / 93-1/4" / 99-1/4" / 111-1/4" / 123-1/4"		61-1/2"	30-3/8"
32**	80" / 84" / 90" / 96" / 108" / 120"	130-5/8" x 83" / 87" / 93" / 99" / 111" / 123"	131-1/8" x 83-1/4" / 87-1/4" / 93-1/4" / 99-1/4" / 111-1/4" / 123-1/4"		65-3/4"	32-1/4"
34**	80" / 84" / 90" / 96" / 108" / 120"	138-5/8" x 83" / 87" / 93" / 99" / 111" / 123"	139-1/8" x 83-1/4" / 87-1/4" / 93-1/4" / 99-1/4" / 111-1/4" / 123-1/4"		69-3/4"	34-1/4"
36**	80" / 84" / 90" / 96" / 108" / 120"	146-3/4" x 83" / 87" / 93" / 99" / 111" / 123"	147-1/4" x 83-1/4" / 87-1/4" / 93-1/4" / 99-1/4" / 111-1/4" / 123-1/4"		73-3/4"	36-1/4"
42"	80" / 84" / 90" / 96" / 108" / 120"	168-5/8" x 83" / 87" / 93" / 99" / 111" / 123"	169-1/8" x 83-1/4" / 87-1/4" / 93-1/4" / 99-1/4" / 111-1/4" / 123-1/4"		84"	42-1/8"
48"	80" / 84" / 90" / 96" / 108" / 120"	192-3/4" x 83" / 87" / 93" / 99" / 111" / 123"	193-1/4" x 83-1/4" / 87-1/4" / 93-1/4" / 99-1/4" / 111-1/4" / 123-1/4"		96"	48-1/8"

Dimensions are given in in.

### NOTE

- ▶ The frame should be installed at intended finished floor level.  
The pocket frames by ECLISSE can host any panel standard Book door on the market.
- ▶ Maximum door dimension:  
DW=48"+48" (72"+72" on request)  
DH=120"
- ▶ Max door thickness 1-3/4"
- ▶ Max door weight 220 lbs. (330 lbs. on request)
- ▶ **To obtain a double system it requires two single frame kits and a joining kit.**

\* Door panel width could be increased by 1" to keep the door on the floor guide at closed position

### ACCESSORIES

- ▶ ECLISSE BIAS®
- ▶ ECLISSE BIAS® DS
- ▶ ECLISSE Anti Slam-HD
- ▶ ECLISSE PUSH&PULL C
- ▶ Double Door Co-Ordination
- ▶ Anti-Warp Profile
- ▶ Joining Kit
- ▶ Jamb Kit
- ▶ Luce Kit - Wiring Channel (2x6 wall frame kits only)